



# INSTRUCTION BULLETIN

No. 9010964  
Machine: T12  
Published: 02-2013  
Rev. 00

**NOTE: DO NOT DISCARD the Parts List from the Instruction Bulletin. Place the Parts List in the appropriate place in the machine manual for future reference. Retaining the Parts List will make it easier to reorder individual parts and will save the cost of ordering an entire kit.**

*NOTE: Numbers in parenthesis ( ) are reference numbers for parts listed in Bill of Materials.*

Installation instructions for **kit number 9010934**

## SYNOPSIS:

This kit contains the parts needed to replace the steering control panel on T12 scrubbers.  
Please follow step-by-step instructions.

## SPECIAL TOOLS / CONSIDERATIONS: NONE

(Estimated time to complete: 2 hours)



### PROTECT THE ENVIRONMENT

Please dispose of packaging materials, old machine components, and hazardous fluids in an environmentally safe manner according to local waste disposal regulations.



Always remember to recycle.

## PREPARATION:

1. Park the machine on a clean level surface, turn off the machine, and remove the key.

**FOR SAFETY: Before leaving or servicing machine, stop on level surface, and turn off machine.**

2. Disconnect the battery cable from the machine.



**WARNING: Always disconnect battery cables from machine before working on electrical components.**

## INSTALLATION:

1. Remove the access panel from the machine. Place the access panel out of the way. (Fig. 1)



FIG. 1

2. Disconnect the main wire harness from the control panel assembly harness. Cut the cable tie if necessary. (Fig. 2)
3. Loosen the two set screws securing the control panel assembly into the collar. (Fig. 2)
4. Pull the control panel assembly from the steering wheel. (Fig. 2)
5. Remove the thrust washer from the shaft of the control panel assembly. Set the thrust washer aside. Discard the removed control panel assembly. (Fig. 2)
6. Slide the thrust washer onto the control panel assembly shaft. (Fig. 2)
7. Slide the new control panel assembly (1) into the steering assembly and down into the collar. Ensure the control panel is properly positioned in the steering wheel. (Fig. 2)
8. Tighten the set screws against the shaft of the control panel assembly. (Fig. 2)
9. Connect the main wire harness to the control panel assembly.
10. Reinstall the access panel onto the machine.
11. Reconnect the battery cable to the machine.
12. Start and test the machine. Operate all controls on the control panel to ensure they function properly.

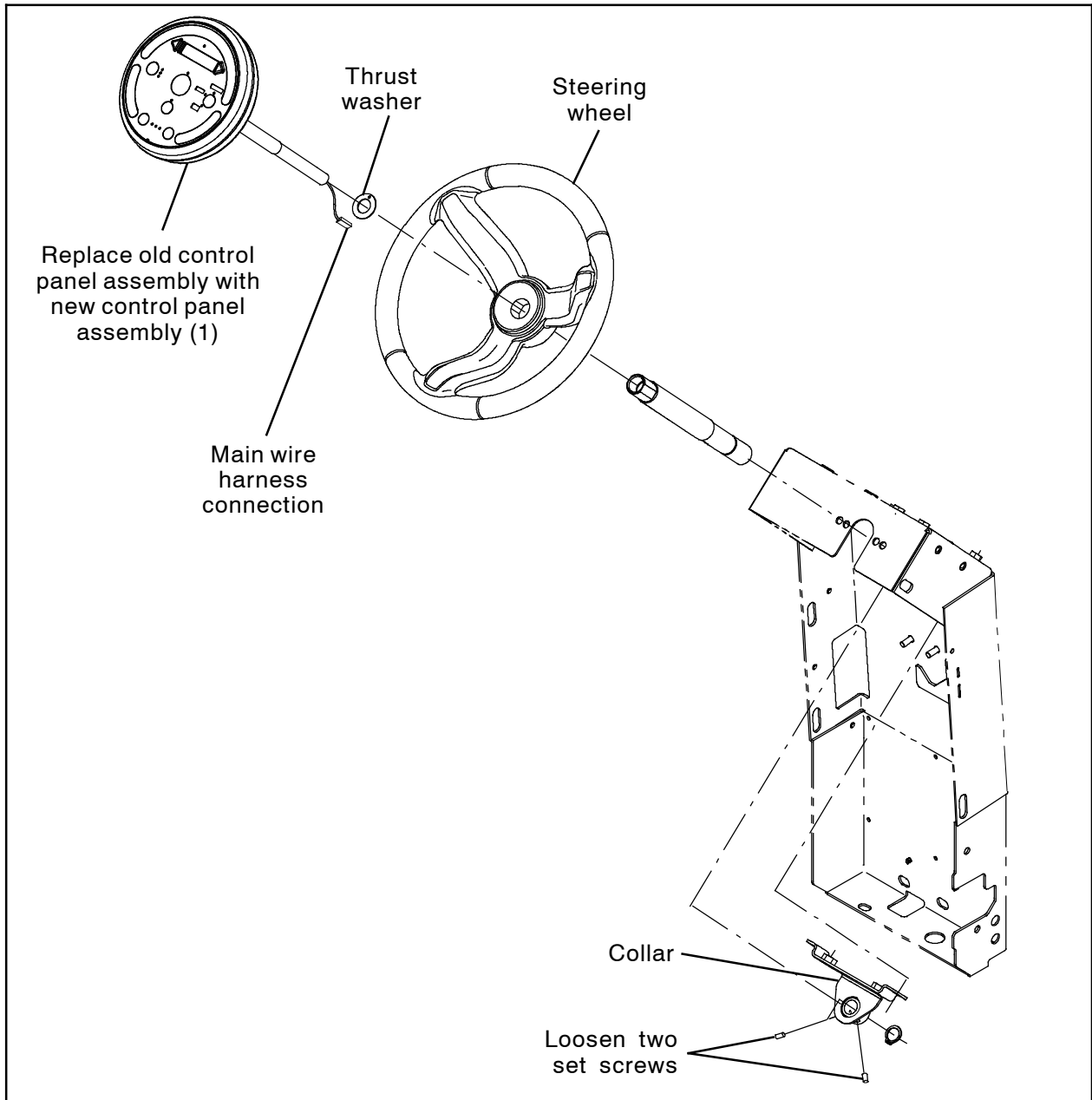


FIG. 2

Bill Of Materials For Panel, Pod, w/Instr Afmkt [T12] - 9010934

	Tennant Ref. Part No.	Description	Qty.
▽	9010934	Panel, Pod, w/Instr Afmkt [T12]	1
▲	1 1201059	Panel Assy, Console, Instmt [T12]	1

TENNANT COMPANY  
P. O. Box 1452  
Minneapolis, MN 55440-1452